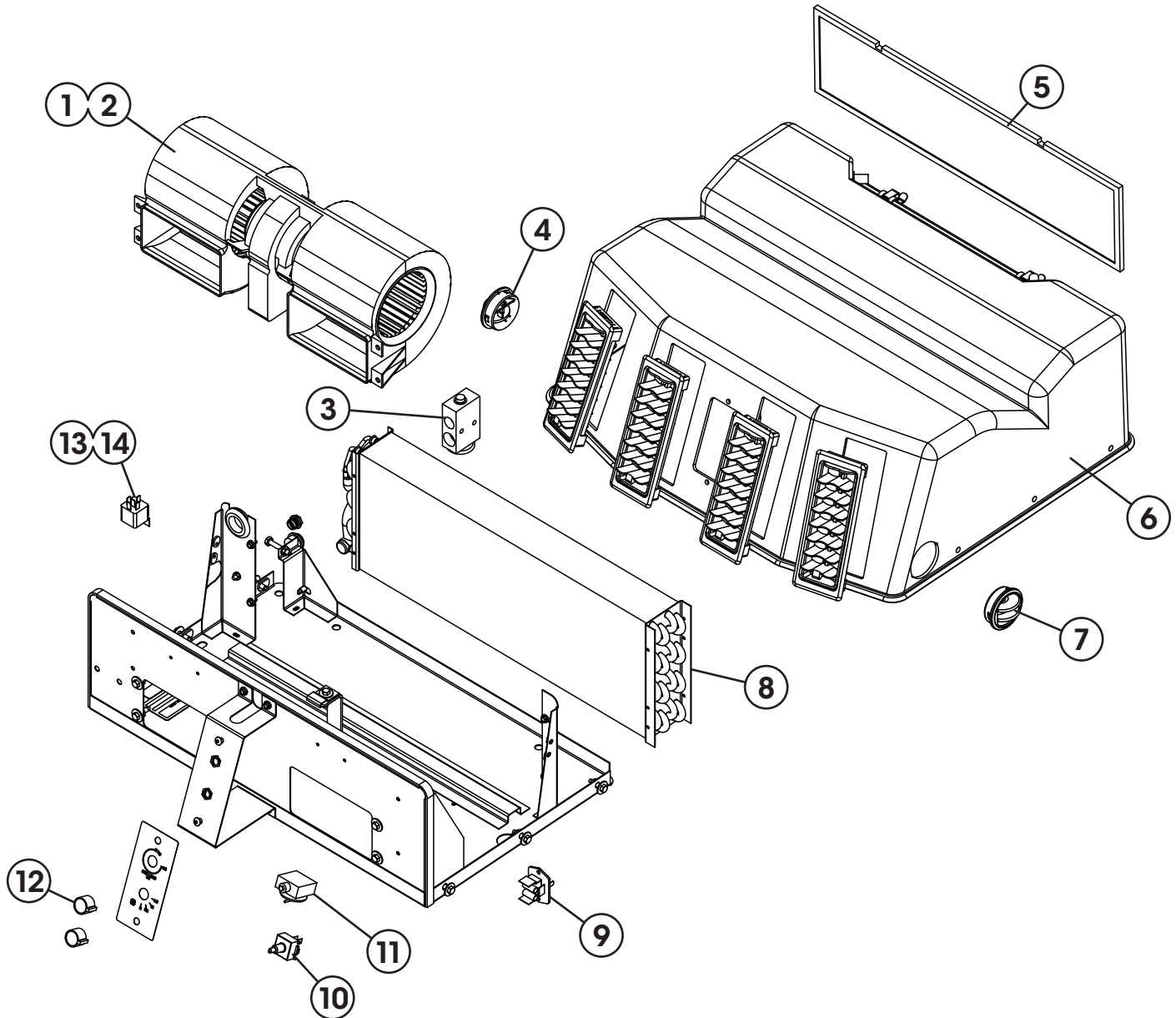


# Remote Mount Condenser Model R-9715-11

## SERVICE PARTS LIST



ITEM	NOTE	PART NO.	DESCRIPTION	CAT. NO.
1	A	RD-3-6770-OP	Motor Blower Assembly	73R5502
2	B	RD-3-6770-24P	Motor Blower Assembly 24 Volt	73R5504
3		RD-5-7015-OP	Valve - Expansion, R134a (2 Ton)	71R8321
4		RD-5-11888-OP	Louver	
5		RD-1-0860-1P	Filter	78R5253M
6		RD-5-8421-5P	Cover - Plastic Housing	
7		RD-5-10418-OP	Louver - Alliance 3 X 8	72R2255

ITEM	NOTE	PART NO.	DESCRIPTION	CAT. NO.
8		RD-2-2928-OP	Evaporator Assembly	76R6040
9		RD-5-3647-OP	Resistor - Speed Control, Single Fan	71R1450
10		RD-5-3646-OP	Switch - Rotary 3 Speed	71R1150
11		RD-4125-36P	Thermostat	71R2250
12		RD-5-5928-OP	Knob - Control With Set Screw	71R4040
13	A	RD-5-4408-OP	Relay - 12 Volt	71R1702
14	B	RD-5-4417-OP	Relay - 24 Volt	71R1704

NOTES: A= Not shown B=for unit R-6145-2 ONLY C=for unit R-6145-3 ONLY

### RED DOT CORPORATION

P.O.Box 58270 Seattle, WA 98138 (206) 575-3840 AMCustomerService@RedDotCorp.com

RD-2-4716-0 (REV B)

FOR REFERENCE ONLY. SUBJECT TO CHANGE WITHOUT NOTICE